

CT-T03 Broadband Current Transformer

1. Description

The CT-T03 series broadband current transformers are designed to monitor current pulse transients. Each probes frequency response 3 dB bandwidth spans from 2 kHz to 2 GHz. The probe enclosure houses mounting screw holes and a through-hole diameter of 3mm.



2. Features

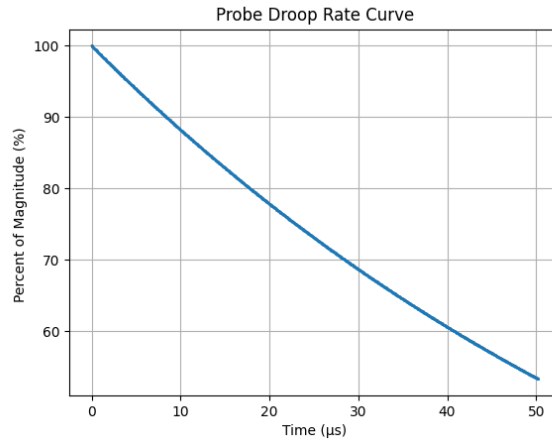
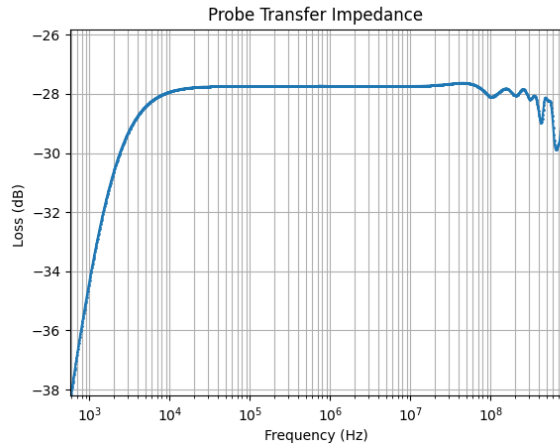
- Flat transfer impedance at high frequencies
- Compact, lightweight, and robust design
- 3mm through-hole diameter
- SMA-connector measurement port

3. Applications

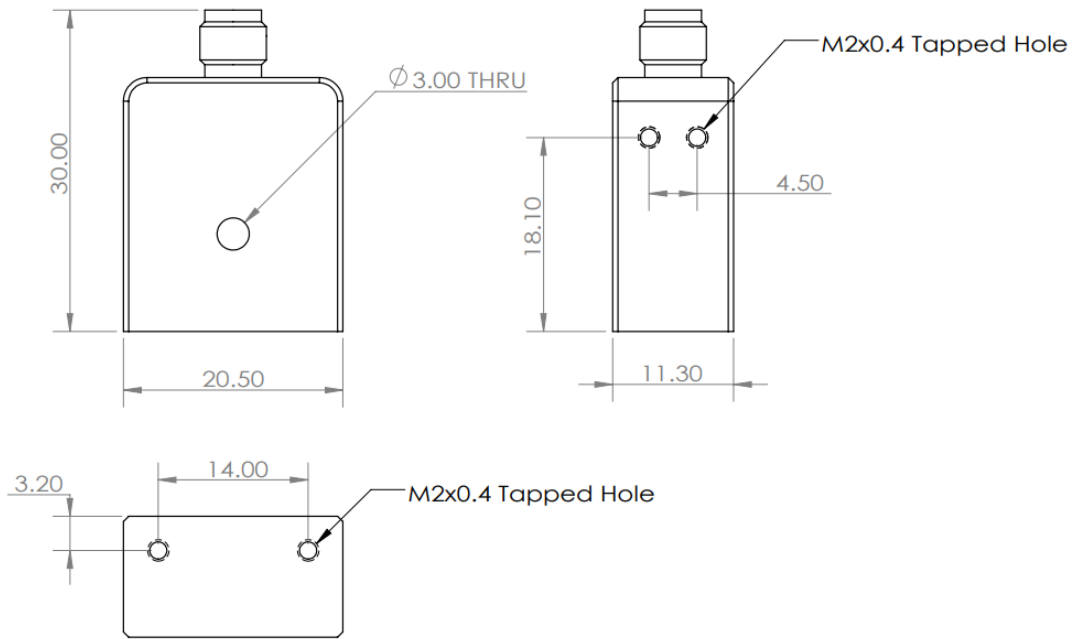
- High frequency current measurement
- ESD and EOS pulse current measurement (including HBM, MM, CDE)
- Conducted emissions current measurement

4. Electrical Specifications

Parameter	Value
Probe Factor (V/A)	1
Current-Time Product (A·μs)	30
Flat Response Bandwidth (3dB)	2kHz – 2GHz



5. Dimensions



6. Ordering Information

Line	Part # or Option #	Description	Status
1	CT-T03-1p0	CT-T03 Broadband Current Transformer, 1 V/A	Active