

TECHNOLOGY

Our core R&D team consists of iNARTE certified ESD / EMC Engineers with in-depth knowledge and decades of experience. We also have a long-term, joint development relationship with top academic research groups in the world.

RELIABILITY

Our products are built with elaborate designs and quality parts. All products are tested under stringent reliability conditions before being released.

SUPPORT

Our excellent support team guides you from selection to application to create the best solution for every customer.

SERVICE

We offer anytime return or trade in, fast repair during warranty period and lifetime technical supports.

Electrostatic / High Voltage Solutions

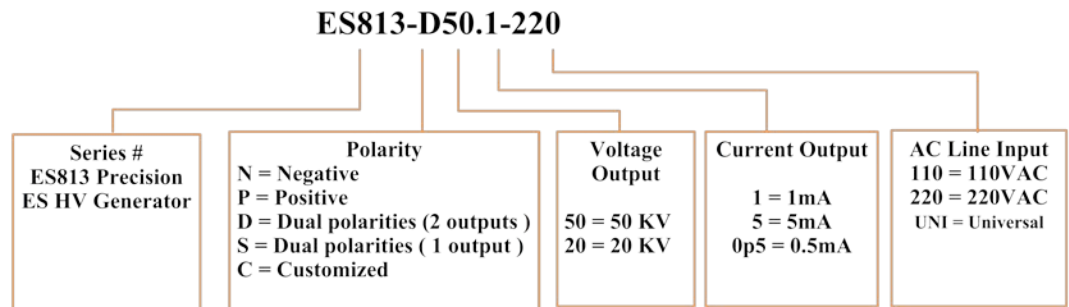
ES813 Series Precision Electrostatic/ High Voltage Generator From 0 to 100 KV, 0 to 4 mA



Features:

- 0 to ± maximum continuous adjust
- Low ripple and drift output
- Precision voltage / current displays
- Over current protection
- Over heat protection
- Easy setup and operation
- **Customization available.**

Order Model Number: (for detail specification options, check the next page)



Note: UNI is not available in all combinations, please contact us!

Applications:

- High voltage power supply
- High voltage susceptibility test
- ESD susceptibility test
- Electrostatic generator
- Material insulation test
- HV or E-field calibration
- Electrospinning

Specifications:

- DC 0 to ± max continuous adjustment
- 1% precision
- 110 or 220 or Universal VAC
- Time drift 0.1% / 24 hours
- Over current protection
- Over heat protection

Basic Configuration:

- Instrument
- 1.5 meter HV cables
- User manual

Operation Conditions:

- Temperature -10 to + 50 °C
- Humidity 20-80% RH
- Pressure 68-106 kPa

Dimension / Weight (Typical):

- 20KV, 30KV/ 1mA:
28 × 13 × 28 cm
3-6 kg
- 50KV, 60KV/ 1mA:
35×33×15cm single out
45×45×18cm dual outs
14-20 kg

Support:

- Lifetime Technical Support

Service:

- 1 Year Warranty (Extendable)

Output Voltage / Output Current Reference Table

OUTPUT VOLTAGE (TYPICAL)	OUTPUT CURRENT (TYPICAL)				OUTPUT CURRENT (MAX)
DC 1000V	1mA	50mA	100mA	500mA	1A
DC 1200V	1mA	50mA	100mA	500mA	1A
DC 1500V	1mA	50mA	100mA	500mA	1A
DC 2000V	1mA	10mA	50mA	100mA	500mA
DC 2500V	1mA	10mA	50mA	100mA	500mA
DC 3000V	1mA	10mA	50mA	100mA	300mA
DC 3500V	1mA	10mA	50mA	100mA	200mA
DC 4000V	1mA	10mA	50mA	100mA	200mA
DC 4500V	1mA	10mA	50mA	100mA	200mA
DC 5000V	1mA	10mA	50mA	100mA	200mA
DC 5500V	1mA	10mA	50mA	100mA	200mA
DC 6000V	1mA	5mA	10mA	50mA	160mA
DC 6500V	1mA	5mA	10mA	50mA	160mA
DC 7000V	1mA	5mA	10mA	50mA	140mA
DC 8000V	1mA	5mA	10mA	50mA	120mA
DC 9000V	1mA	5mA	10mA	50mA	100mA
DC 10 KV	1mA	5mA	10mA	50mA	90mA
DC 15 KV	1mA	5mA	10mA	50mA	60mA
DC 20 KV	1mA	2mA	5mA	10mA	50mA
DC 25 KV	1mA	2mA	5mA	10mA	40mA
DC 30 KV	1mA	3mA	5mA	10mA	30mA
DC 35 KV	1mA	2mA	5mA	10mA	20mA
DC 40 KV	1mA	2mA	5mA	10mA	20mA
DC 45 KV	1mA	2mA	5mA	10mA	20mA
DC 50 KV	1mA	2mA	5mA	10mA	20mA
DC 60 KV	1mA	2mA	3mA	5mA	10mA
DC 80 KV	1mA	2mA	3mA	5mA	10mA
DC 100 KV	1mA	1.5mA	2mA	3mA	4mA

Input Voltage / Output Current Reference Table

INPUT VOLTAGE	OUTPUT VOLTAGE / CURRENT (TYPICAL)	OUTPUT POWER (MAX)
AC 110V	1000V、1A	≤1 KW
	100 KV、2mA	
AC 220V	1000V、2A	≤2 KW
	100 KV、2mA	

Product Grade (Please notify when order)

Class	Details
A - Commercial Grade (Default)	-10 to + 50 °C Partially low drift, high precision components
B - Industrial Grade	-25 to + 65 °C Fully low drift, high precision components
C - Military Grade	-40 to + 85 °C Fully military grade components Shake resist, water resist, smoke resist