

ES62X-BT2 High Voltage TLP Bias Tee



1. Description

The ES62X-BT2 is a wide-band bias tee designed to bias High Voltage Pulsed measurements, such as TLP. It comes housed in a shielded package 51.8mm x 21.3mm x 16.7mm. The ES62X-BT2 is impedance matched for 50 Ohms.

2. Features

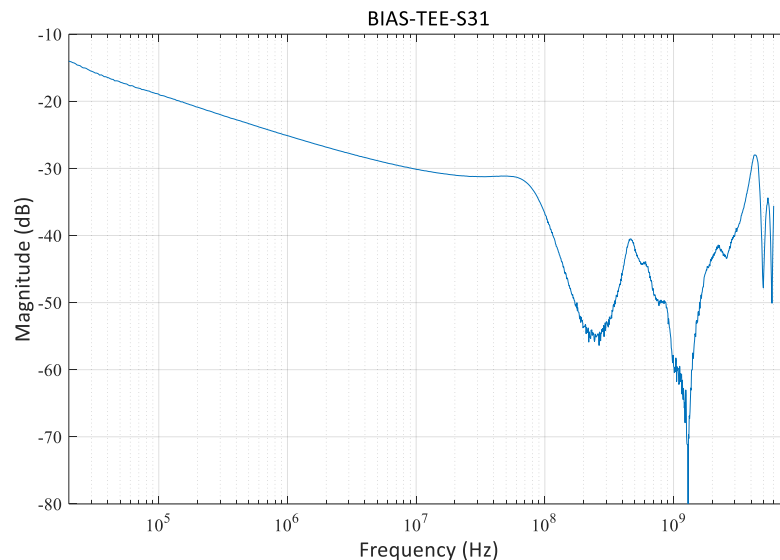
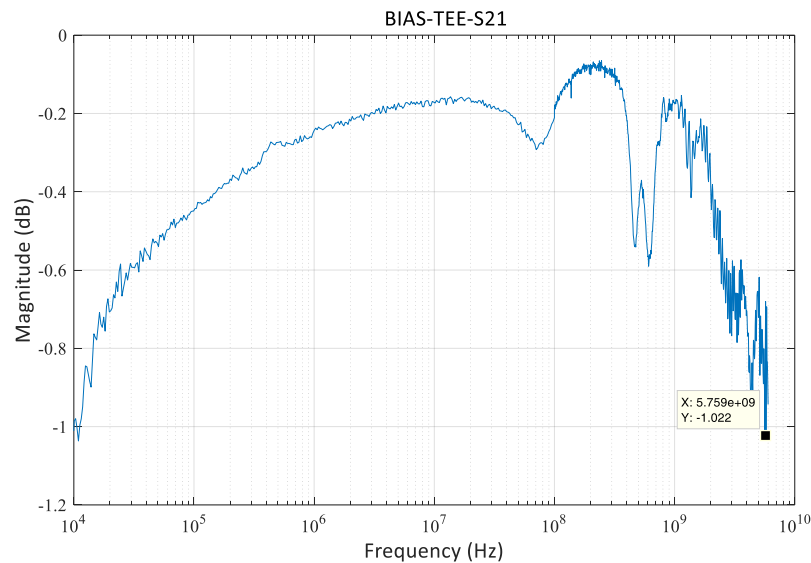
- 10 kHz to 6 GHz range
- Less than a 1 dB insertion loss
- Handles up to a 3kV Pulsed signal
- Impedance matched for 50 Ohms

3. Applications

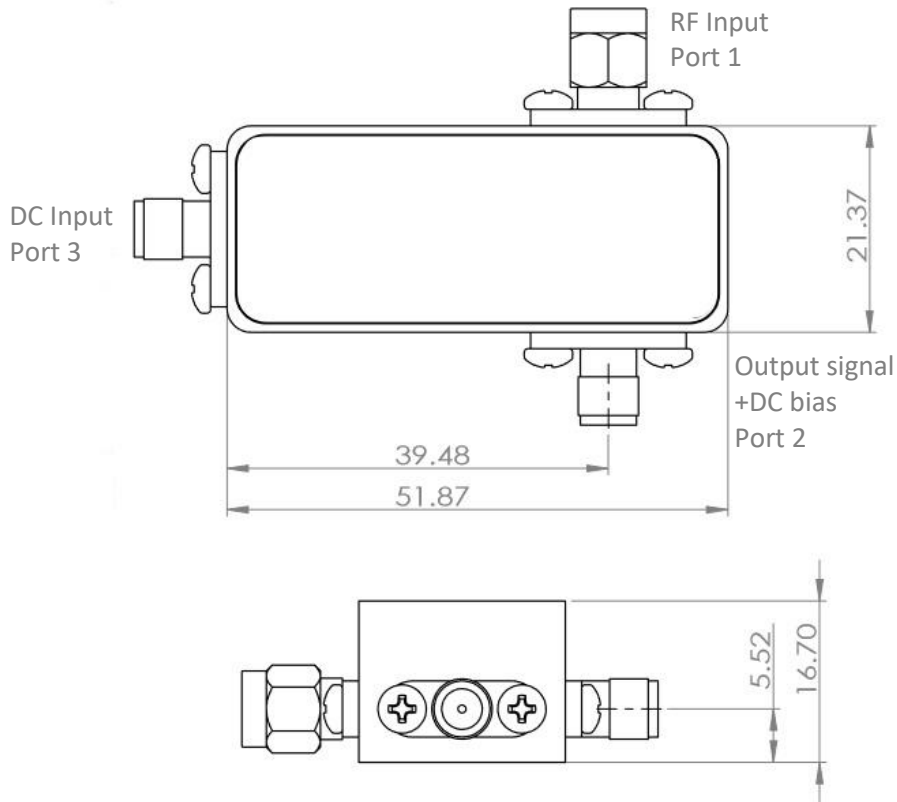
- Biasing HV Pulsed
- DC blocking
- Biasing RF signals

4. Specifications

Parameters	ES62X-BT2	Unit	Comments
operating temperature	-55 to 100	°C	
Max DC input current	2	A	
Max DC input voltage	100	V	
Max TLP current	100	A	
Bandwidth	10k – 6G	Hz	
Max insertion loss	1	dB	Within 10 kHz - 6 GHz



5. Dimensions



6. Ordering Information

Part Number	Description	Lead Time
ES62x-BT2	Wide band bias tee used to bias TLP and HMM measurements	2 weeks