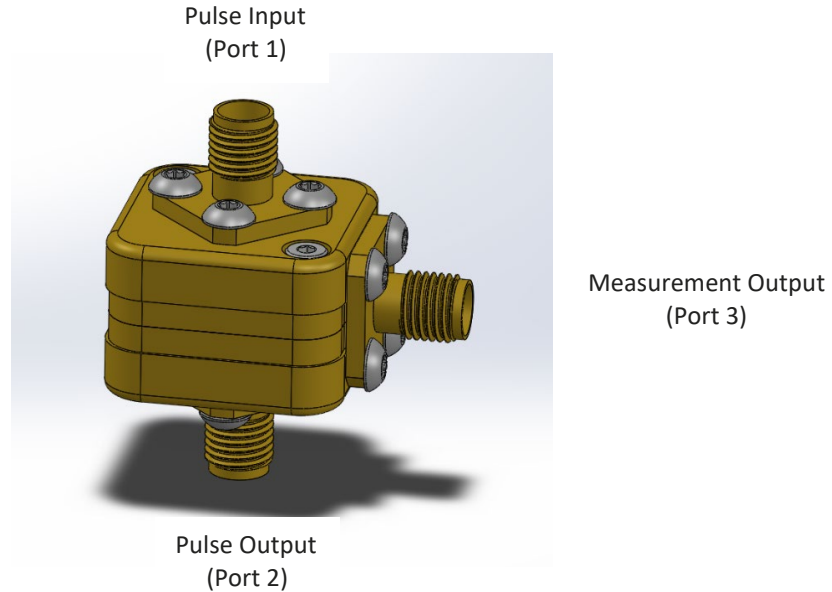


# CT-002-S Series Broadband Current Transformer



## 1. Description

CT-002-S series broadband current transformers are designed to monitor current pulse transients. The frequency response of the current probe is flat from around 1 kHz to a few GHz.

## 2. Features

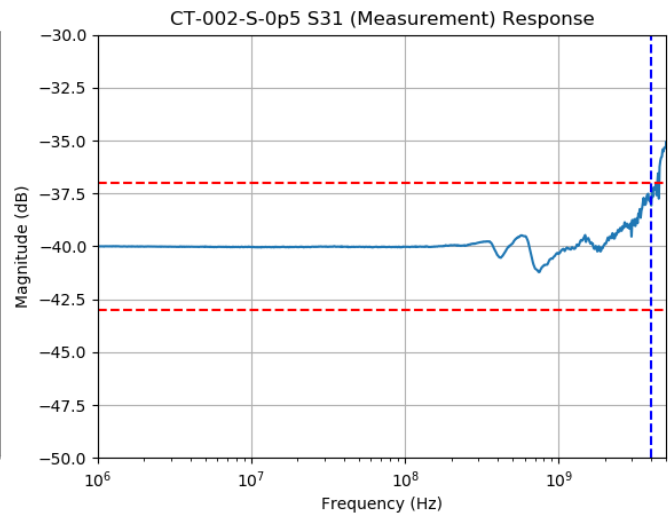
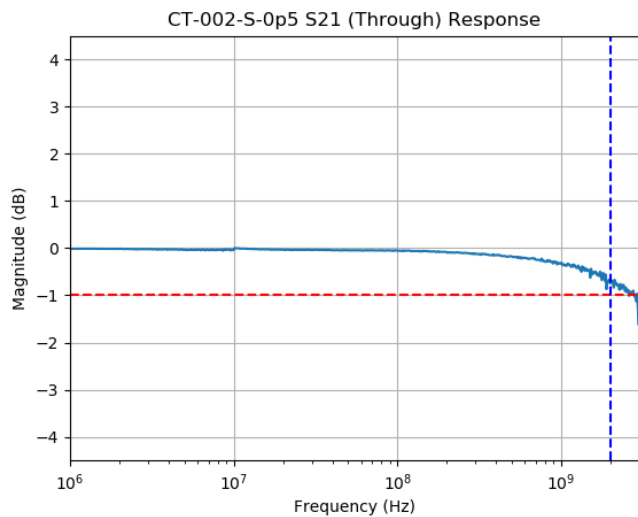
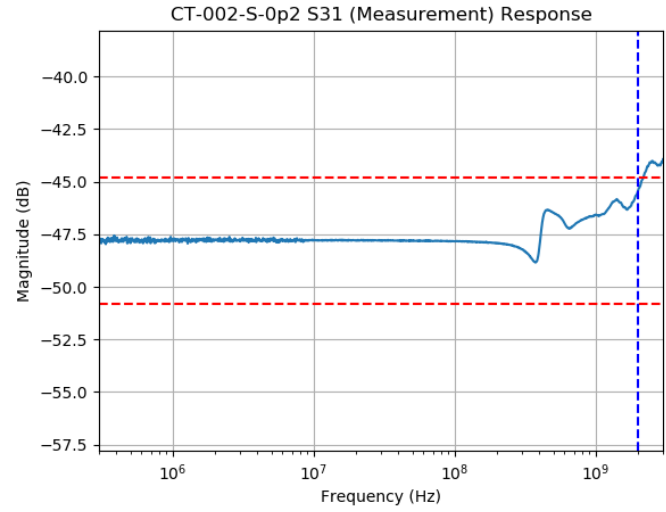
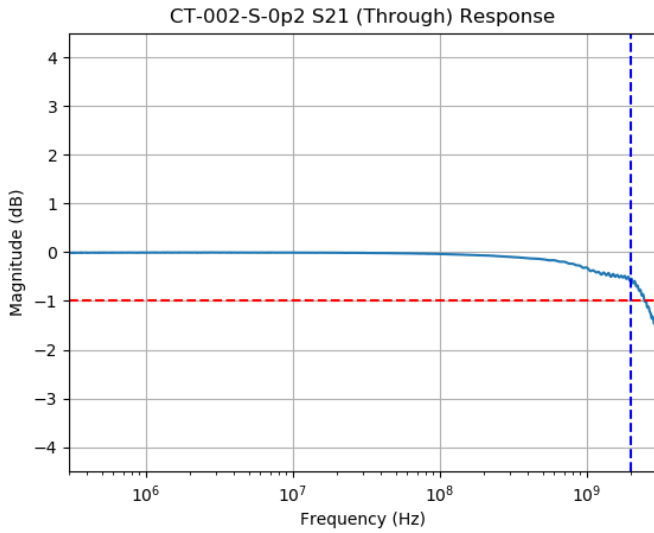
- Wideband flat transfer impedance (1 kHz – 4 GHz & 400 Hz – 2 GHz)
- High saturation (current time product) rating 75 & 200 A·μs
- High dielectric breakdown rating > 2 kV
- Compact and robust design

## 3. Applications

- High frequency high current measurements on transmission line

## 4. Specifications

	CT-002-S-0p5	CT-002-S-0p2
<b>Flat (±3 dB) Frequency Range for S31</b>	1 kHz - 4 GHz	400 Hz - 2 GHz
<b>Flat (±1 dB) Frequency Range for S21</b>	1 kHz – 2.5 GHz	400 Hz – 2.5 GHz
<b>Transfer Impedance (nominal)</b>	0.5 V/A	0.2 V/A
<b>Amp x Second Saturation Rating</b>	75 A μs	200 A μs
<b>Dimension</b>	51.4×42.6×13 mm (2.02×1.68×0.52 inch)	51.4×42.6×13 mm (2.02×1.68×0.52 inch)
<b>Weight</b>	0.048 kg (0.11 lbs.)	0.048 kg (0.11 lbs.)



\*A -40.0 dB S31 corresponds to a 0.5 V/A Transfer Impedance, while -47.5 corresponds to .2 V/A.

\*All measurements were recorded directly from a salable probe.

## 5. Ordering Information

Part # or Option #	Description
CT-002-S-0p2	CT-002-S .2 V/A broadband current transformer, 0.2V/A, Metal Case.
CT-005-S-0p5	CT-002-S .5 V/A broadband current transformer, 0.5V/A, Metal Case.

**6. Dimensions**

